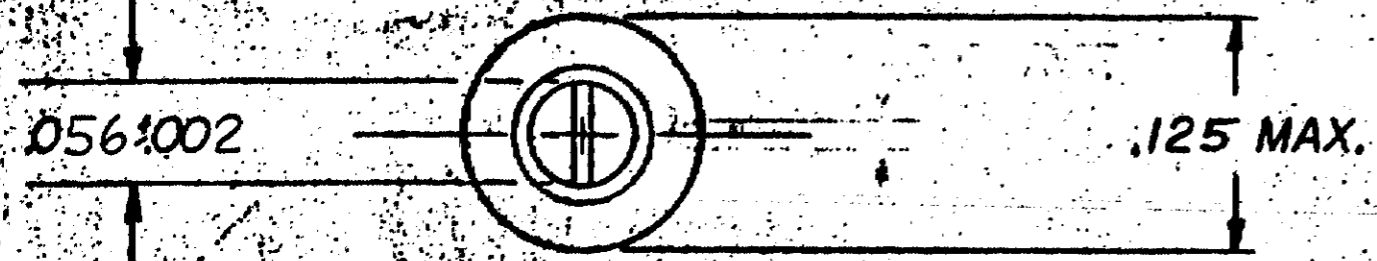


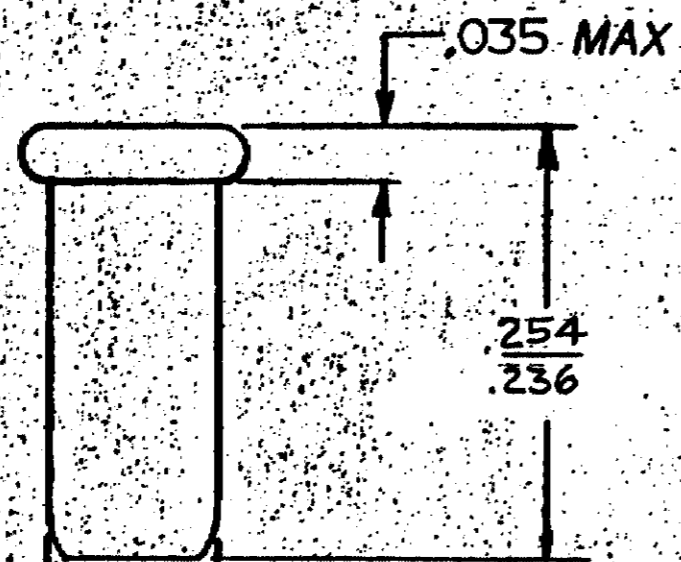
© COPYRIGHT 1975 BY AMP INCORPORATED, HARRISBURG, PA.  
 ALL INTERNATIONAL RIGHTS RESERVED. AMP INCORPORATED PRODUCTS  
 COVERED BY U. S. AND FOREIGN PATENTS AND/OR PATENTS PENDING.  
 UNPUBLISHED NOR REPRODUCED WITHOUT WRITTEN PERMISSION  
 - AMP INCORPORATED

P	LTR	DESCRIPTION	DATE	APPROVED
✓	G	REV PER AG-2446	8-30-91	CW

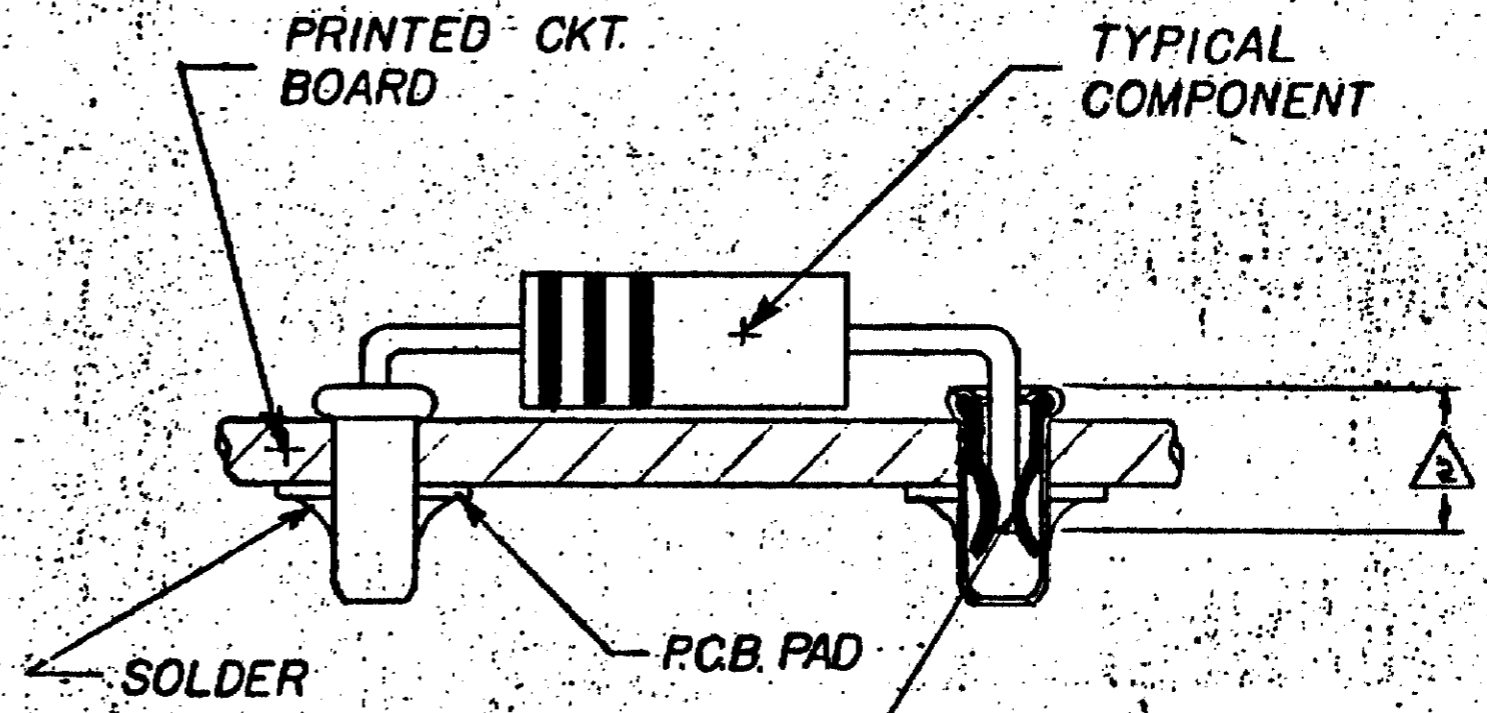
REVISIONS						
P	F	ZONE	LTR	DESCRIPTION	DATE	APPROVED
			E	ADD -2 PER TTI 83-103	9-8-81	TEB/KW
✓			E1	RESTORATION	5-23-85	46/SJ
✓			F	REV AG 1047 LOC TO CY1	12-22-87	SDM
✓			F1	REV PER AG-5173 LOC TO AG	4-4-88	151/PM



- ACCEPTS .1035 TO .1054 DIA. LEADS
- ▲ .145 MIN. INSERTION DEPTH FOR RELIABLE CONTACT OF COMPONENT LEAD.
- ▲ GOLD STRIPE .00003 INCH THICK IN CONTACT AREA OF SPRINGS, GOLD FLASH ON REMAINDER OF SPRINGS.



$\frac{.089}{.086}$  ← FITS INTO #43 DR. HOLE FOR HAND INSERTION & #44 DR. HOLE FOR MACHINE INSERTION.



TIN-LEAD	GOLD	640206-2
TIN-LEAD	TIN	640206-1
CUP	SPRING	PART NO
PLATING		

UNLESS OTHERWISE SPECIFIED DIMENSIONS ARE IN INCHES. TOLERANCES ON: DECIMALS ±.015 ANGLES ±	CONTRACT NO	AMP INCORPORATED Harrisburg, Pa.	
	DR G YETTER 3-18-75	NAME REUSABLE COMPONENT RECEPTACLE	
	CHK'd B. Williams 8-21-75	SIZE B	CODE IDENT NO 00779
	MATERIAL CUP: COPPER SPRING: BR. CU.	APPD	NUMBER 640206
FINISH SEE ABOVE	DSGN APPD B.C. Williams 8-21-75	SCALE	SHEET
	OTHER APPD		